

PRODUCT PORTFOLIO



AMMtech

WE SHAPE YOUR DAMPERS

✦ **AMMtech** has asserted itself on the Damper international market, becoming a leader in the service of Engineering Companies, Power Plants, Dedusting, Renewables, Combustion, Boilers and Cogeneration.

✦ **AMMtech** Thanks to its service and technical expertise, design skills and passion for its work, AMMtech welcomes and develops the most demanding requests, designing and fabricating in compliance with customised applications according to European Directives. Our company follows the entire production cycle from consultancy and planning, to production, after-sales assistance and supply of spare parts.

✦ **AMMtech** continues its development focusing on customer satisfaction through a continuous study of innovative and cutting-edge solutions, passionately welcoming every new challenge.

✦ **AMMtech** irreversible growth has led to the funding of **AMMcut** srl, a LaserFibre Service Center Company, which along with **AMMtech & Partners** srl, sales and representative service Company, forms **AMMtech Group**.



AMM701

Butterfly Damper Valve

For Control or On/Off Service
 DN 150 - 1500
 Max Leakage Class III (FCI 70-2)
 End Connections: Wafer, Flanged
 Material: Carbon Steel, AISI 304,
 AISI316



CE  EAC

AMM704

Butterfly Damper Valve

For Control or On/Off Service
 DN 50 - 125
 Max Leakage Class I (FCI 70-2)
 End Connections: Wafer
 Material: AISI316



CE  EAC

AMM705

Multi-Blade Damper Valve

Modulating Service
 DN 300 - 3000
 End Connections: Wafer, Flanged
 Material: Carbon Steel, Corten,
 AISI 304, AISI316



CE  EAC

AMM708

Butterfly Damper Valve (Heavy Duty)

For Control or On/Off Service
 DN 200 - 3000
 Max Leakage Class III (FCI 70-2)
 End Connections: Wafer, Flanged
 Material: Carbon Steel, Corten,
 AISI 304, AISI316

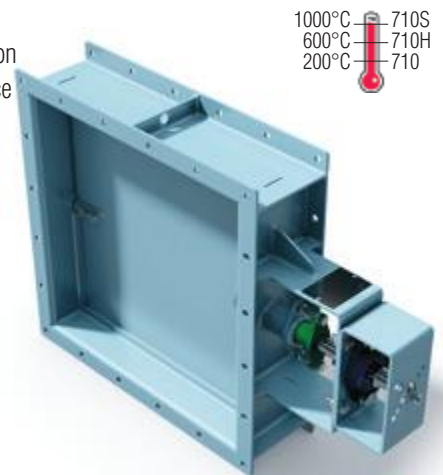


CE  EAC

AMM710

Louver Damper Valve

Rectangular or Square section
 For Control or On/Off Service
 Size Range upon request
 End Connections: Flanged
 Material: Carbon Steel,
 Corten, AISI 304, AISI316,
 AISI 310, AISI 321

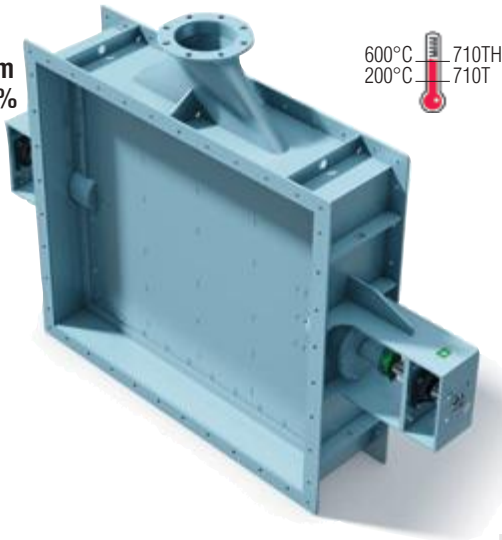


CE  EAC

AMM710T

Louver Damper Valve with Air Sealing System for Total Tightness 100%

Rectangular or Square section
For Control or On/Off Service
Size Range upon request
Total Tightness 100%
End Connections: Flanged
Material: Carbon Steel, Corten, AISI 304, AISI316



CE Ex EAC

AMM715

Radial Vane Damper Valve

Modulating Service
DN 300 -2000
End Connections: Flanged
Material: Carbon Steel, AISI 304, AISI316

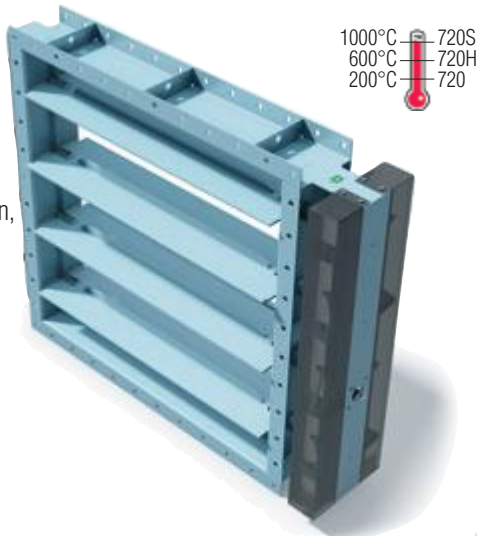


CE Ex EAC

AMM720

Multi Louver Damper

Rectangular or Square section
Modulating Service
Size Range upon request
End Connections: Flanged
Material: Carbon Steel, Corten, AISI 304, AISI316, AISI 310, AISI 321



CE Ex EAC

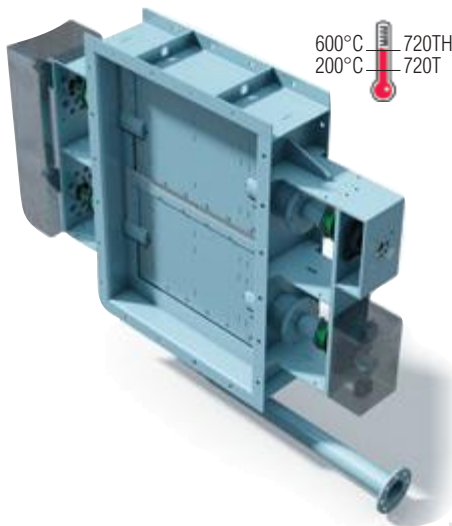
APPLICATIONS

- Fluids: Air, Gas and Fumes
- CHP and Incineration Plants (Waste to Energy)
- Biomass, Biogas and Renewable Energy Plants
- Steel Industry and Furnaces
- Glass Industry
- Cement Plants
- Air Pollution and Filtration (Dedusting)
- Power Plants
- Heat Recovery Systems
- Boilers and Burners
- Chemical Industry
- Oil and Gas
- HVAC
- Thermal Oxidizers

AMM720T

Multi Louver Damper with Air Sealing System for Total Tightness 100%

Rectangular or Square section
Modulating Service
Size Range upon request
Total Tightness 100%
End Connections: Flanged
Material: Carbon Steel, Corten, AISI 304, AISI316



CE Ex EAC

AMM731

Butterfly Damper Valve

For Control or On/Off Service
DN 150 -1500
Max Leakage Class III (FCI 70-2)
End Connections: Wafer, Flanged
Material: Carbon Steel, Corten, AISI 304, AISI316



CE Ex EAC

AMM740

Ø Leakage Damper Valve - Double Eccentric

For Control or On/Off Service

DN 150 - 2000

Max Leakage Class VI Ø Leakage - Total Tightness (FCI 70-2)

End Connections: Wafer, Flanged

Material: Carbon Steel,

AISI 304, AISI316

Seat: Silicon, NBR, Viton, EPDM



CE Ex EAC SIL

AMM740PH

Ø Leakage Damper Valve for corrosive media - Double Eccentric

For Control or On/Off Service

DN 150 - 2000

Max Leakage Class VI Ø Leakage - Total Tightness (FCI 70-2)

End Connections: Wafer, Flanged

Material: Carbon Steel, Corten,

AISI 304, AISI 316

Seat: FEP, PFA



CE Ex EAC SIL

AMM750

Butterfly Double Blade Damper Valve with Air Sealing System for Total Tightness 100%

For Control or On/Off Service

DN 150 - 3000

Max Leakage Class VI Ø Leakage - Total Tightness (FCI 70-2)

with air sealing system

End Connections: Wafer, Flanged

Material: Carbon Steel, Corten,

AISI 304, AISI 316



CE Ex EAC

AMM761

Guillotine Damper (SLIDE GATE)

Circular, Square, Rectangular section

For Control or On/Off Service

DN 150 - 3000

Max Leakage Class III (FCI 70-2)

End Connections: Flanged

Material: Carbon Steel, Corten, AISI 304,

AISI 316, AISI 310, AISI 321



CE Ex EAC

AMM755

By-Pass Damper

For Control or On/Off Service

DN 100 - 2500

Max Leakage Class III (FCI 70-2)

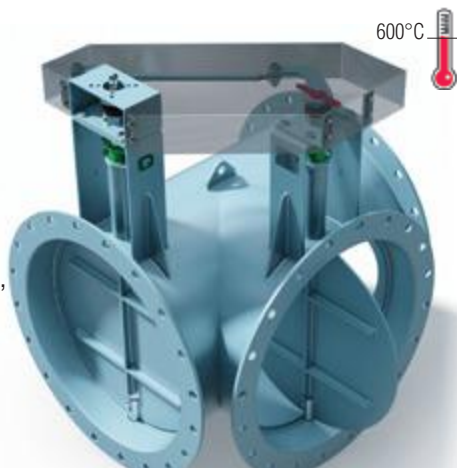
End Connections:

Flanged

Material: Carbon Steel,

Corten, AISI 304,

AISI 316

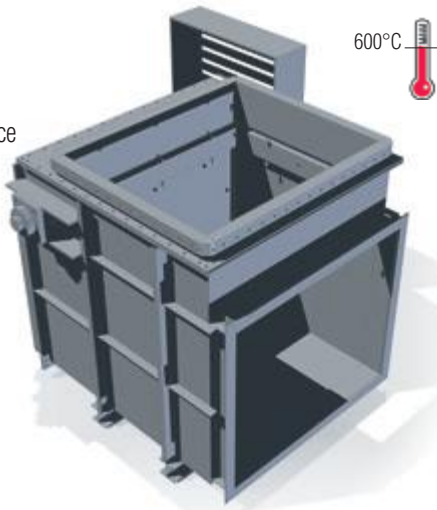


CE Ex EAC

AMM770

Diverter Damper Valve (Gas Distributor)

Size Range upon request
For Control or On/Off Service
Max Leakage Class III
(FCI 70-2)
End Connections: Flanged
Material: Carbon Steel,
Corten, AISI 304, AISI 316



CE Ex EAC

AMM780

Butterfly Damper Valve - High Temperature

For Control or On/Off Service
DN 150 - 1500
Max Leakage Class III (FCI 70-2)
End Connections: Wafer, Flanged
For Control or On/Off Service
Material: AISI 310, AISI 321



CE Ex EAC

AMM785

Fiber-Lined Damper Valve

For Control or On/Off Service
DN 150 - 2500
Max Leakage Class III (FCI 70-2)
End Connections: Flanged
Material: Carbon Steel, Corten,
AISI 304, AISI 316, AISI 310,
AISI 321



CE Ex EAC

AMM786

Refractory Lined Damper Valve

For Control or On/Off Service
DN 150 - 2500
Max Leakage Class III (FCI 70-2)
End Connections: Flanged
Material: Carbon Steel, Corten,
AISI 304, AISI 316, AISI 310, AISI 321

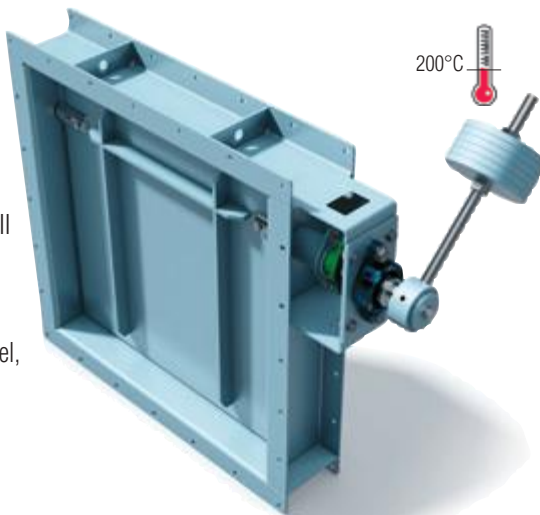


CE Ex EAC

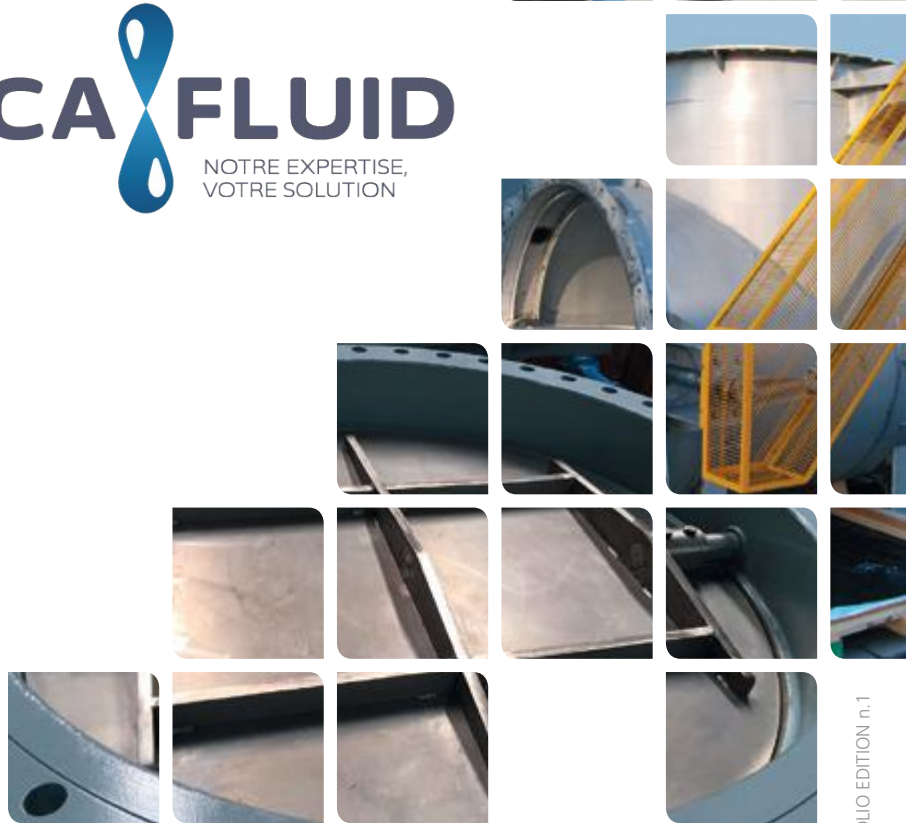
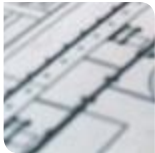
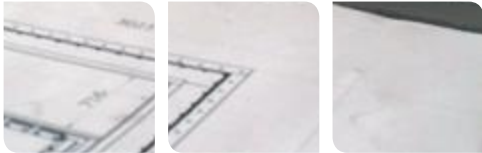
AMM790

Counterweight non-return Damper Valve

Circular, Square,
Rectangular section
DN 150 - 2500
Max Leakage Class III
(FCI 70-2)
End Connections:
Wafer, Flanged
Material: Carbon Steel,
AISI 304, AISI 316



CE Ex EAC



Méca-Fluid SRL
Avenue du Parc, 30
4651 Chaineux
Belgique
www.mecafluid.eu